

auto electrical parts

Technical Information Sheet

Part No. 0-534-40

Circuit Tracer Detector

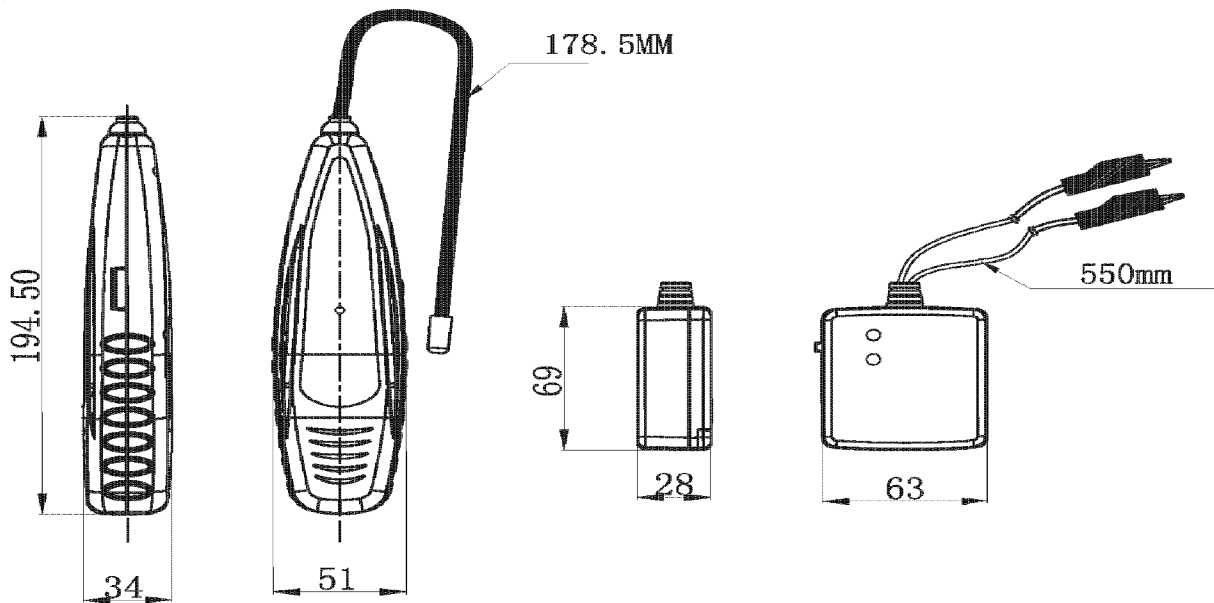
Durite's Circuit Tracer Detector. Finds open circuits fast and easily. Designed so there is no need to open cables thus preventing damage to circuit. Sender and Receiver included

- Suitable for all DC circuits upto 42V
- Locates open circuit
- Battery voltage indication
- 2 x 9V batteries required



Technical Drawing (not to scale)

UNIT: mm



Specification

Voltage
Material:
Colour
Certificate
Dimensions

Battery 2 x 9V
ABS Housing
Black
CE, EMC
Please see above (dimensions in mm)

The information contained in this document is correct to the best of our knowledge at the time of printing. However, specifications may change at any time without notice.